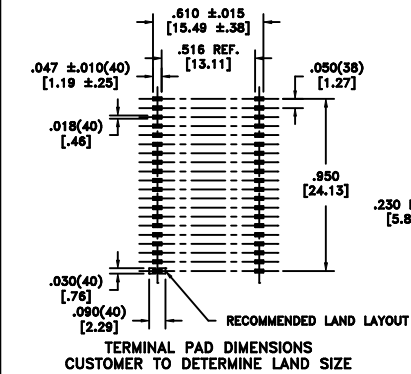
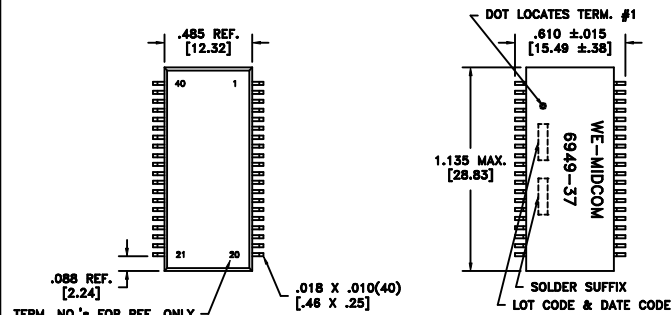
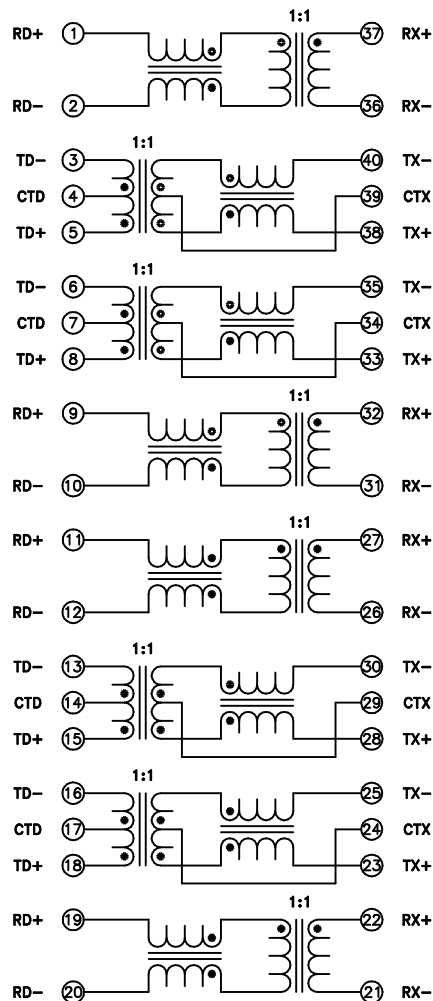


SOLDER SUFFIX	CUSTOMER TERMINAL	RoHS	LEAD(Pb)-FREE
LF1	Sn96%, Ag4%	Yes	No



ELECTRICAL SPECIFICATIONS @ 25°C unless otherwise noted:

INDUCTANCE:	350uH min., 100kHz, 100mV, 38-40; 37-36; 33-35; 32-31; 28-30; 27-26; 23-25; 22-21, 8mADC, Lp.
DIELECTRIC RATING:	1500Vrms, 1 minute tested by applying 1800Vrms for 1 second between 1-40 (tie 1+3+6+9+11+13+16+19, 40+37+35+32+30+27+25+22).
TURNS RATIO & POLARITY:	Per schematic.
INSERTION LOSS:	-1.1dB max., 100k - 100MHz.
RETURN LOSS:	-18dB min., 500k - 30MHz. -14dB min., 45M - 80MHz. -16dB min., 30M - 45MHz. -12dB min., 60M - 80MHz.
CROSSTALK:	-35dB min., 500k - 100MHz.
DCMR:	-35dB min., 1M - 100MHz.
CMRR:	-25dB min., 1M - 30MHz. -30dB min., 30M - 100MHz.
OPERATING TEMPERATURE RANGE:	-40°C to +85°C.
COPLANARITY:	All 40 terminals must lie on a plane within .004 [.10] of Surface A after lead tinning.



Midcom, Inc.
Watertown, SD USA
Toll Free: 800-643-2661
Fax: 605-886-4486

Unless otherwise specified:
Tolerances: Fractions: ±1/64
Angles: ±1° Decimals: ±.005 [.127mm]
This drawing is dual dimensioned. Dimensions in brackets are in millimeters.

DRAWING TITLE
TRANSFORMER
PDFP-G40

Midcom

REVISIONS: SEE SHEET 1

DRAWING NO.
000-6949-37R-LF1

SCALE ---

SHEET 2 OF 11

REV.
6D
11/06